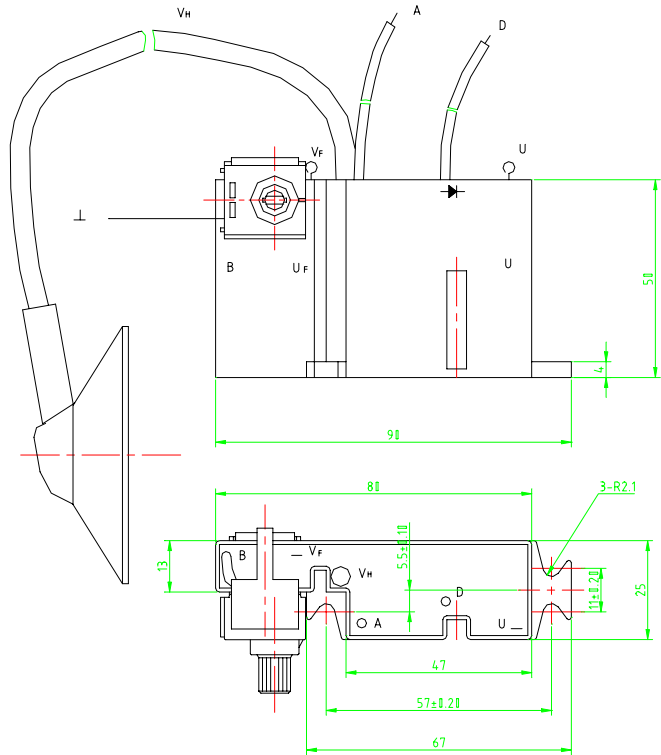
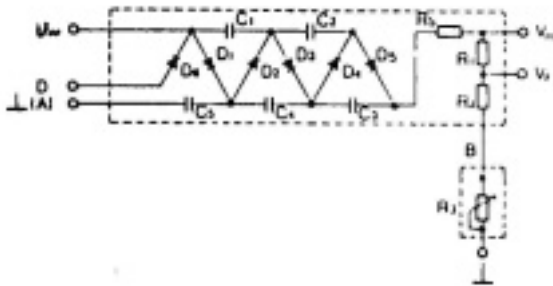


Silicon High Voltage Tripler
BG2097



Operating Characteristics:

Peak input pulse voltage	V _{pp}	8.6	kV	V _{pp(max)}	10	kV
D.C.output voltage	V _H	25	kVDC	V _{H(max)}	27.5	kVDC
D.C.output current	I _H	1.5	mA	I _{H(max)}	1.7	mA
Bleeder current	I _B	>70	μA	I _{B(max)}		μA
Current through diode D ₆	I _H	3.5	mA	I _{H(max)}	4	mA
Bleeder ratings	BG2097-642-306	V _F = (24~28%) V _H				
	BG2097-642-332	V _F = (28~34.7%) V _H				
Ambient temperature	≤65°C					